

Job Name

Contractor

0000

COMPONENT LIST

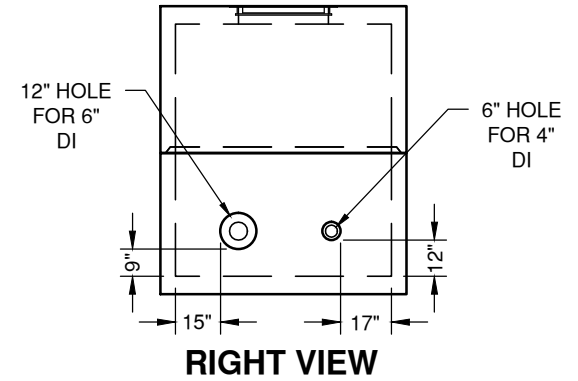
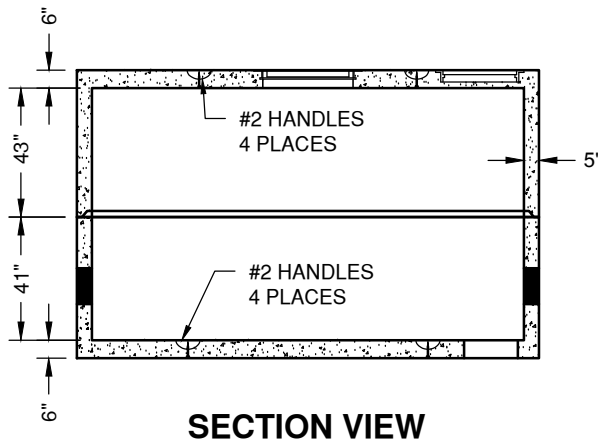
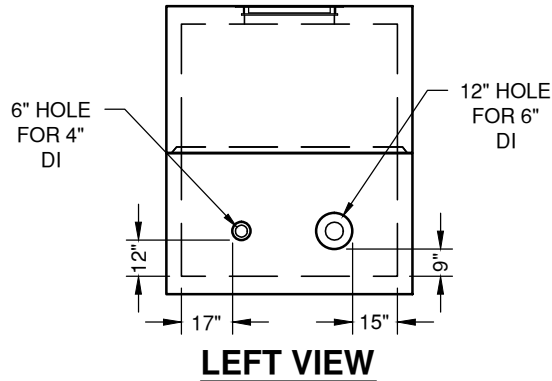
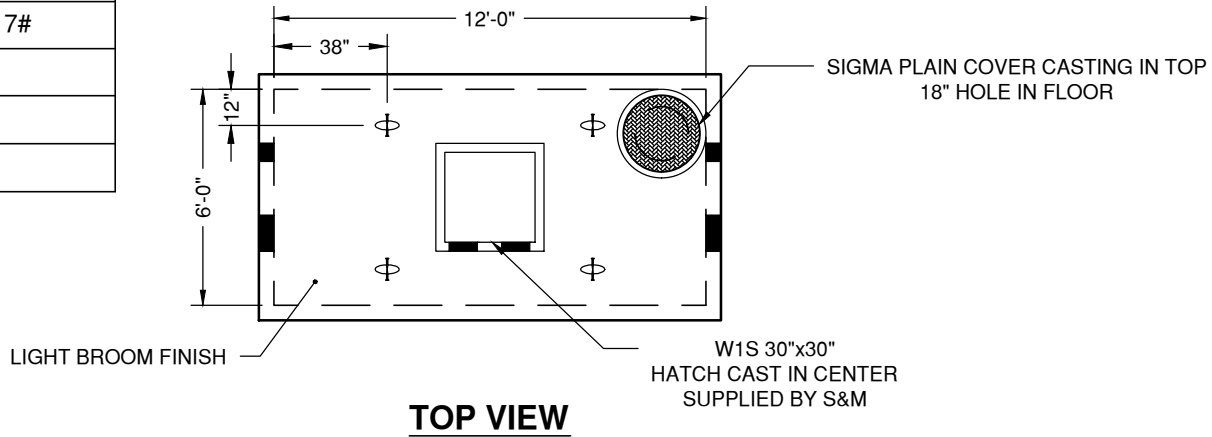
QTY	DESCRIPTION	WEIGHT
1	Top Section	14,348/#
1	Bottom Section	14,817#
1	W1S 30x30 Hatch	
5	Mastic 1½" x 10'	
1	Sigma -8171P-35	

Yard Location:

6'x12'x7'

Meter Vault

Total Weight = 29,165#



REBAR
STANDARD 6x12 CAGE

Sec	Setup	Check
6x12		



"NPCA" CERTIFIED PLANT
16700 SIMA GRAY RD, HENRYVILLE, IN 47126
Phone: (812) 246-6258 Fax: (812) 294-4862