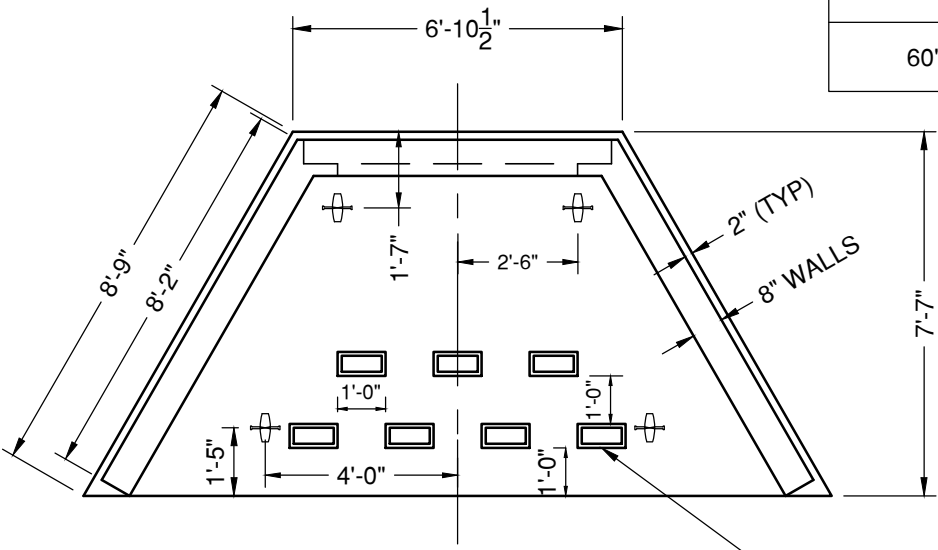
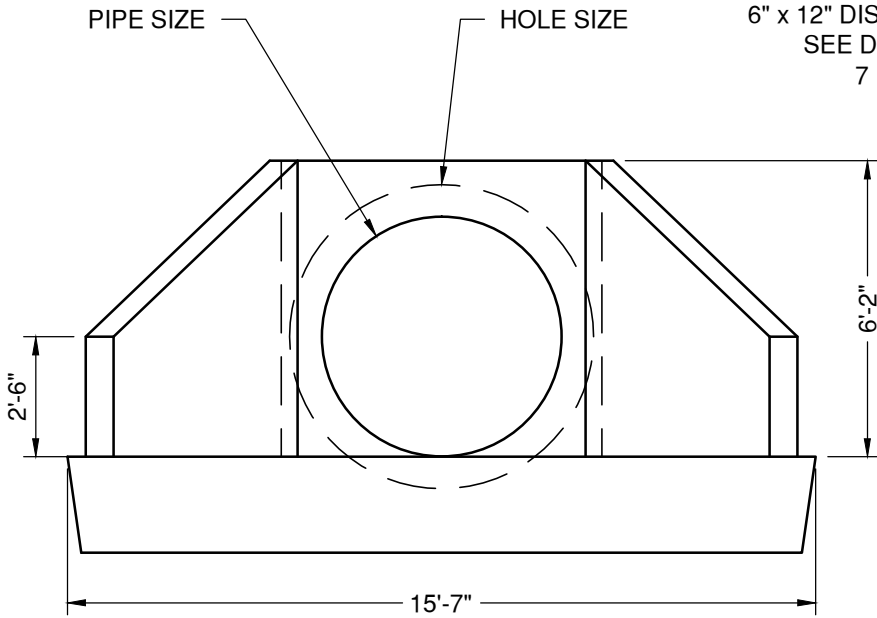


Pipe Size	Hole Size	Weight
54"	70"	21,476#
60"	76"	20,975#

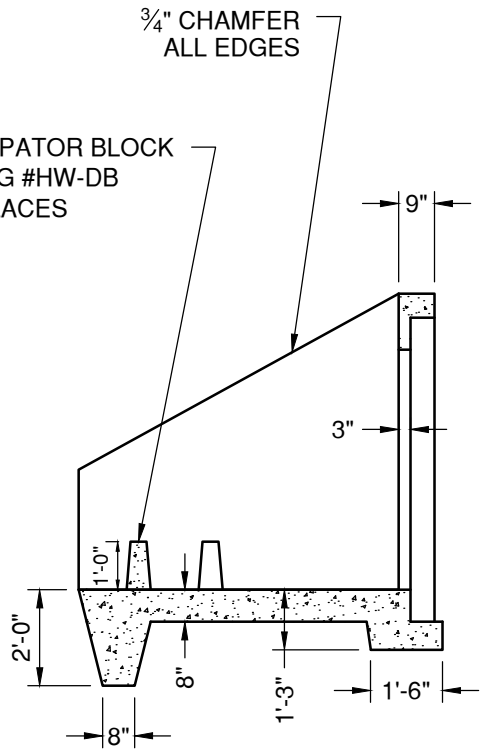


PLAN VIEW

#5 HANDLES
4 PLACES



FRONT VIEW



SECTION VIEW



"NPCA" CERTIFIED PLANT
16700 SIMA GRAY RD, HENRYVILLE, IN 47126
Phone: (812) 246-6258 Fax: (812) 294-4862

SPECIFICATIONS	
CONCRETE:	4500 PSI @ 28 DAYS
REINFORCEMENT:	ASTM A-615, GR 60

WEIGHT: See Chart
SLOPED & FLARED DISSIPATOR HEADWALL 54" - 60" PIPE
DATE: 11-16-16 DWG #HW-SF-60-D