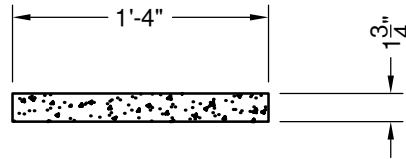
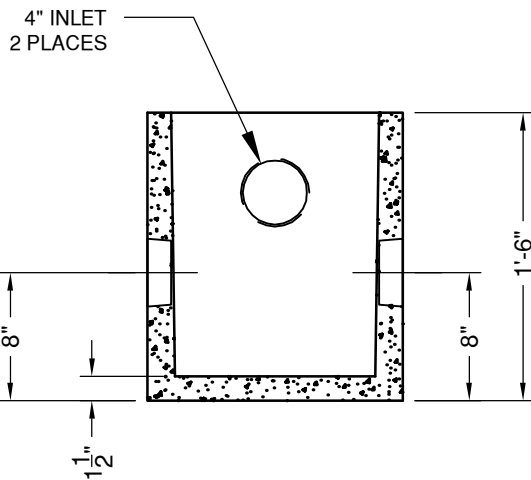


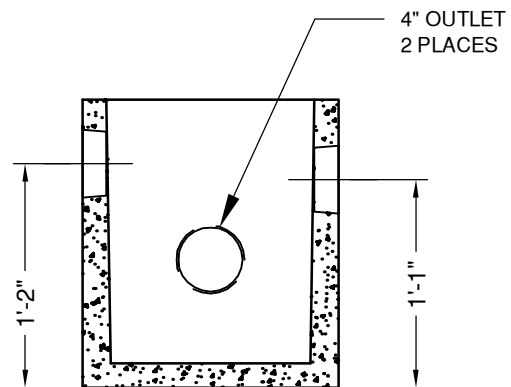
PLAN VIEW



LID - SECTION VIEW



SECTION VIEW



SECTION VIEW



"NPCA" CERTIFIED PLANT
 16700 SIMA GRAY RD, HENRYVILLE, IN 47126
 Phone: (812) 246-6258 Fax: (812) 294-4862

SPECIFICATIONS

CONCRETE: 4500 PSI @ 28 DAYS
 REINFORCEMENT: ASTM A-615, GR 60
 LOAD DESIGN: NON-TRAFFIC 18" MAX COVER

KY-CH2-0160

WEIGHT: BASE 115#, LID 35#

**DISTRIBUTION BOX
 #4 HILLSIDE
 KENTUCKY**

DATE: 3-14-17

DWG #ST-KY-DB04