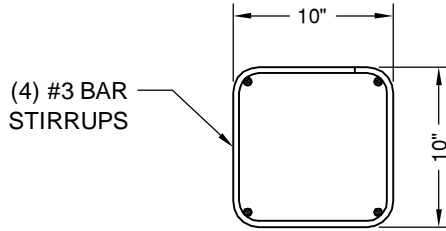
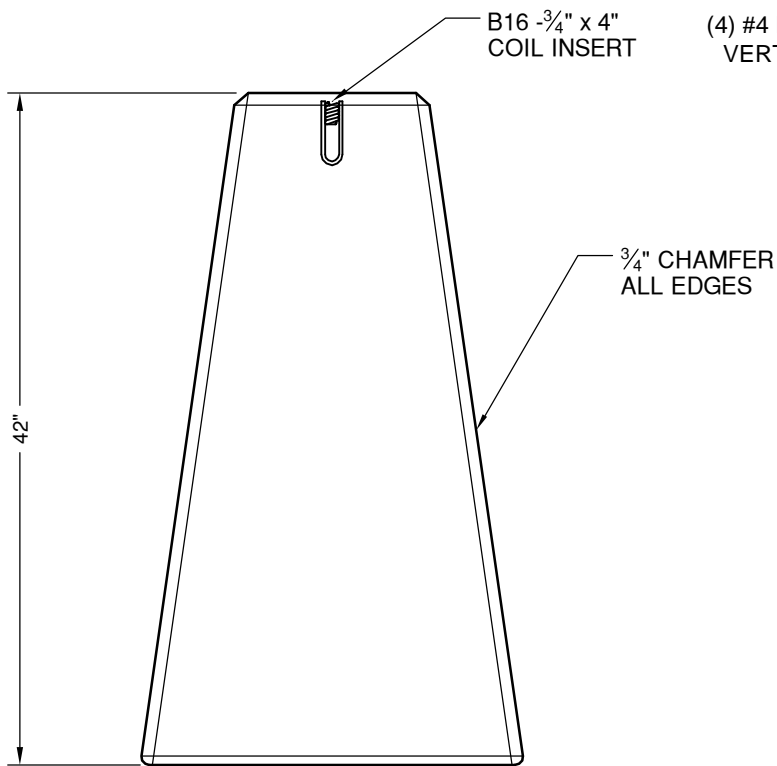


PLAN VIEW

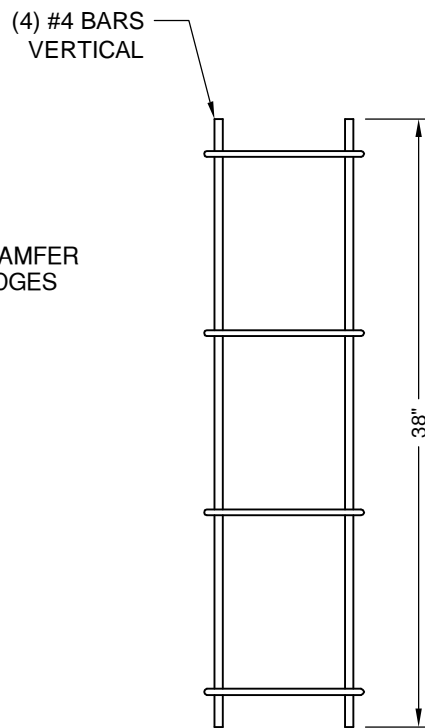


(4) #3 BAR STIRRUPS

#4 BAR PLAN



FRONT VIEW



(4) #4 BARS VERTICAL

#4 BAR FRONT



"NPCA" CERTIFIED PLANT
 16700 SIMA GRAY RD, HENRYVILLE, IN 47126
 Phone: (812) 246-6258 Fax: (812) 294-4862

SPECIFICATIONS

CONCRETE: 4500 PSI @ 28 DAYS
 REINFORCEMENT: ASTM A-615, GR 60

WEIGHT: 1,180#

BOLLARD

DATE: 4-12-17

DWG #MISC-BOLLARD