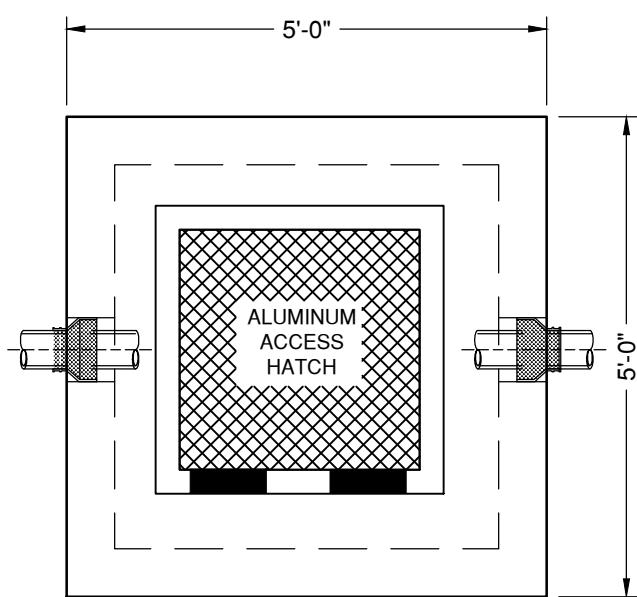


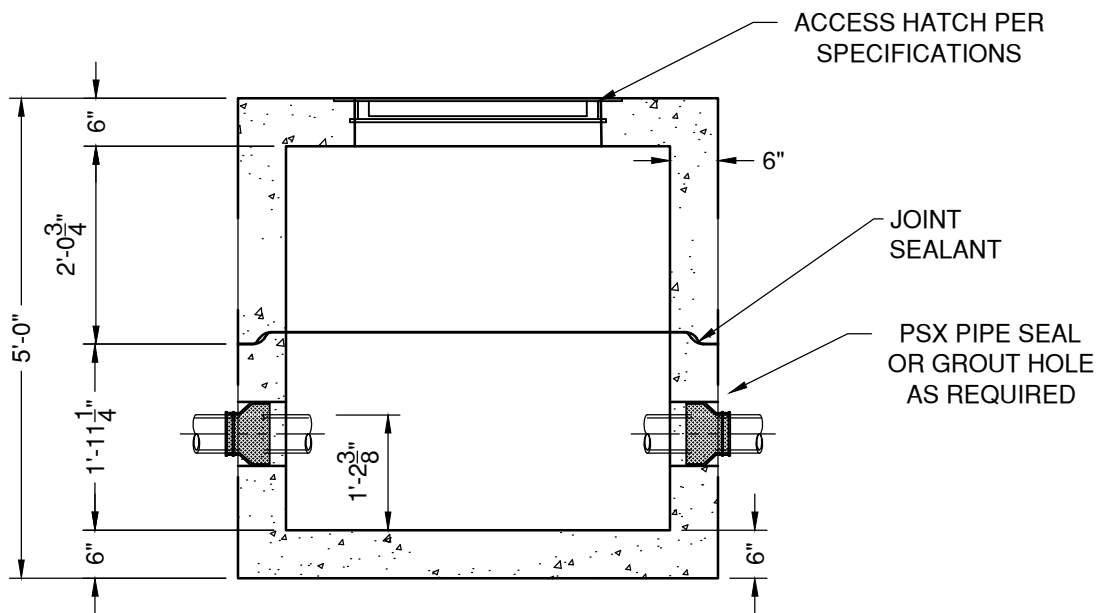
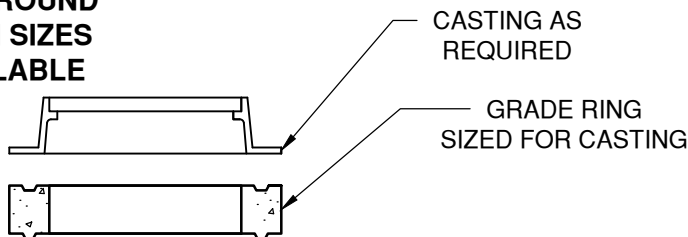
**PLAN VIEW**



**PLAN VIEW**

**ALTERNATE ROUND OR CUSTOM SIZES ALSO AVAILABLE**

**ALL H-20 RATED HATCHES REQUIRE 12\"/>**



**SECTION VIEW**



"NPCA" CERTIFIED PLANT  
 16700 SIMA GRAY RD, HENRYVILLE, IN 47126  
 Phone: (812) 246-6258 Fax: (812) 294-4862

**SPECIFICATIONS**

- CONCRETE: 4500 PSI @ 28 DAYS
- REINFORCEMENT: ASTM A-615, GR 60
- DESIGN LOAD: AASHTO HS-20 => 0' - 5' FILL
- DESIGN SPECIFICATION: ASTM C-858 & ACI 318

WEIGHT: BOT 4,333# TOP 3,670#

**METER VAULT  
 4' x 4' SPLIT BOX**

DATE: 2-23-17

DWG #VV-4x4x4